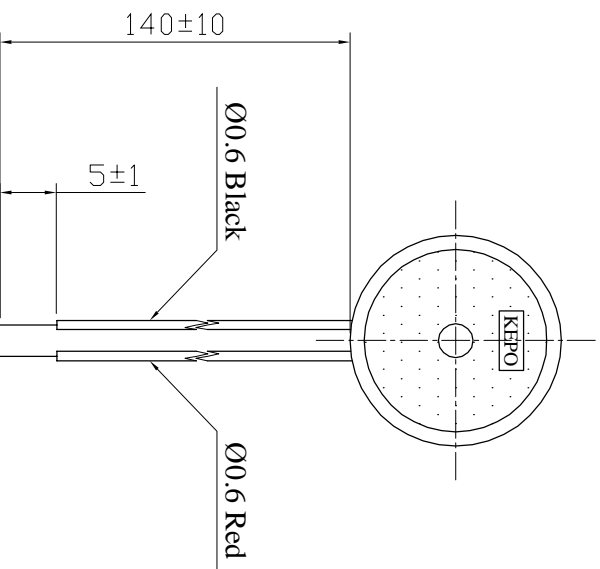
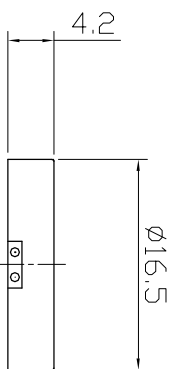

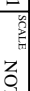


SPECIFICATION

- 1. Rated Voltage 12Vp-p Square Wave
- 2. Max. Allowable Voltage 30Vp-p Square Wave
- 3. Max. Rated Current 3mA at 4.0KHz/12Vp-p Square Wave
- 4. Min. Sound Pressure Level..... 80dB at 4.0KHz/12Vp-p Square Wave/10cm
- 5. Capacitance at 120Hz 14000pF±30%
- 6. Resonant Frequency 4.0±0.5KHz
- 7. Shell Material/Color..... ABS/Black
- 8. Operating Temperature -20~+60℃
- 9. Store Temperature -30~+70℃
- 10. Weight 1g



			
NO.	DESCRIPTION	APPROVED	DATE
DESIGNER/ENGINEER NOTED OTHERWISE XX X XXX X	DRAWN	APPROVALS	DATE
90° ANGLE ±1°	CHECKED		
	APPROVED		05.03.21
KEPO NINGBO KEPO ELECTRONIC CO.,LTD http://www.chinacoustic.com		Piezo transducer KPR-1720(有字)	
UNIT	DWGNO	SCALE	SHEET
mm	KPR3.840.305.01	NOT TO SCALE	VER 1.0